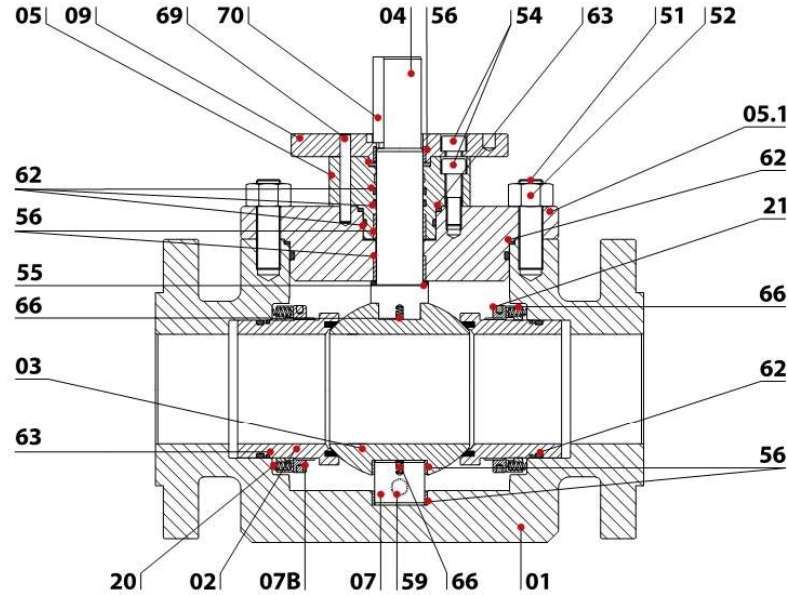


Top Entry

Main Features

- Bolted Bonnet - Cast Body/Forged Bonnet and Trim (forged body available on request).
- Soft / Metal Seated.
- Self Relieving or Double Piston Effect Seat.
- Anti Blow-Out stem.
- Double Block & Bleed.
- Fire Safe API 6FA - API 607 ISO 14097.
- Antistatic device.
- Emergency sealant injection to stem & seats.
- Materials in accordance to NACE MR 01.75
- Above / below ground installation
- Full in-line maintenance, either with vertical and horizontal stem.



Valve Parts

Pos.	Description
01	Body
02	Seat / Insert
03	Ball
04	Stem
05	Stem cover
05.1	Body Cover
07	Trunnion
07B	Spacer Ring
20	Ring for Spring
09	Operator Flange
13	Lifting Lugs
51	Stud
52	Nut
54	Screw
55	Thrust Washer
56	Thrust Bearing
58	Plug
59	Bleeder
62	Seal
63	Gasket
66	Spring
69	Pin
70	Key

